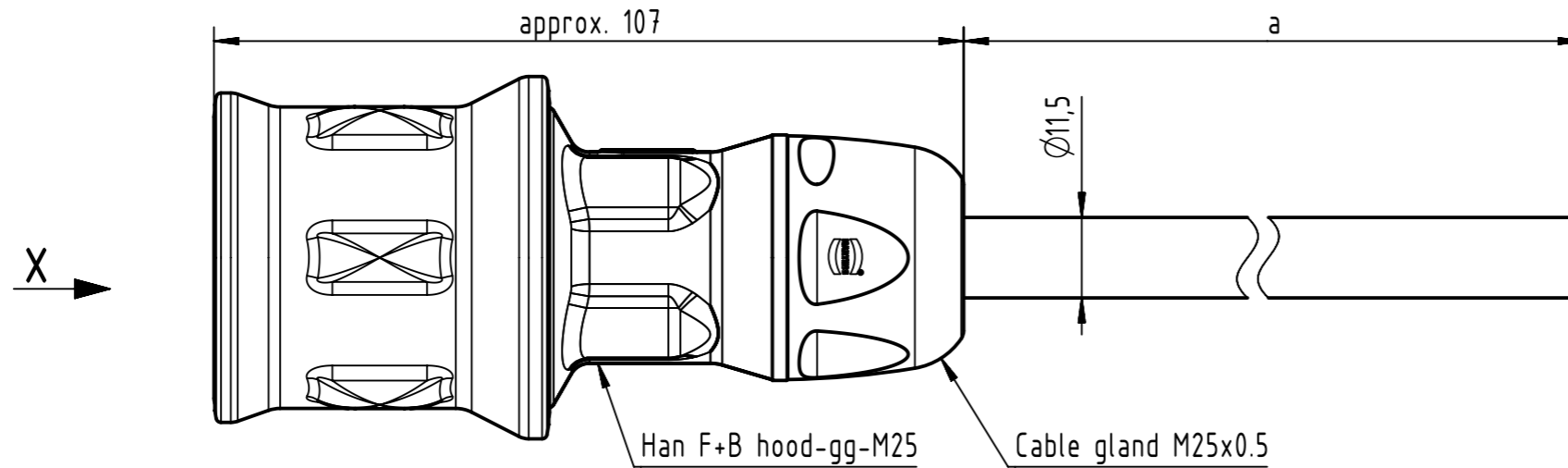
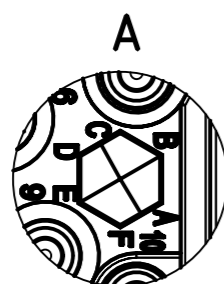
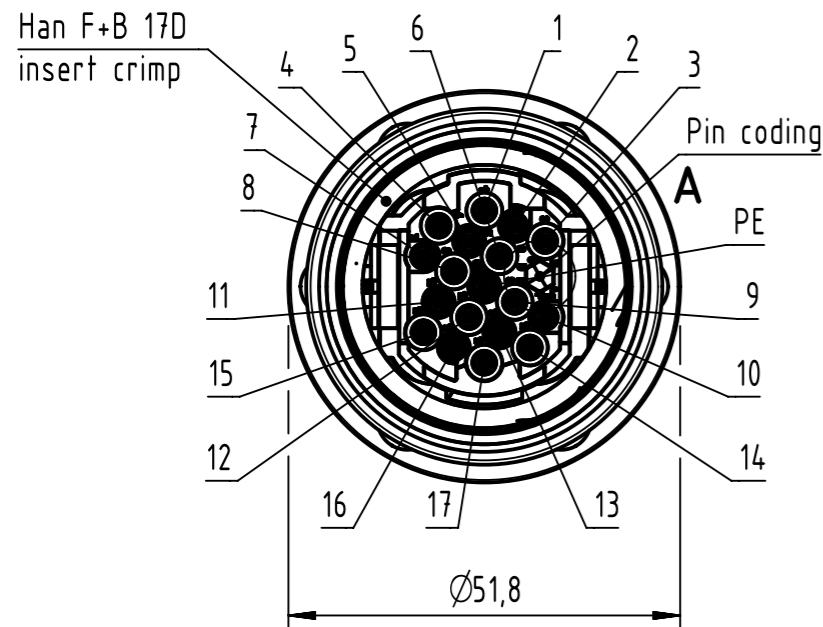


Connector Location A

Connector Location B

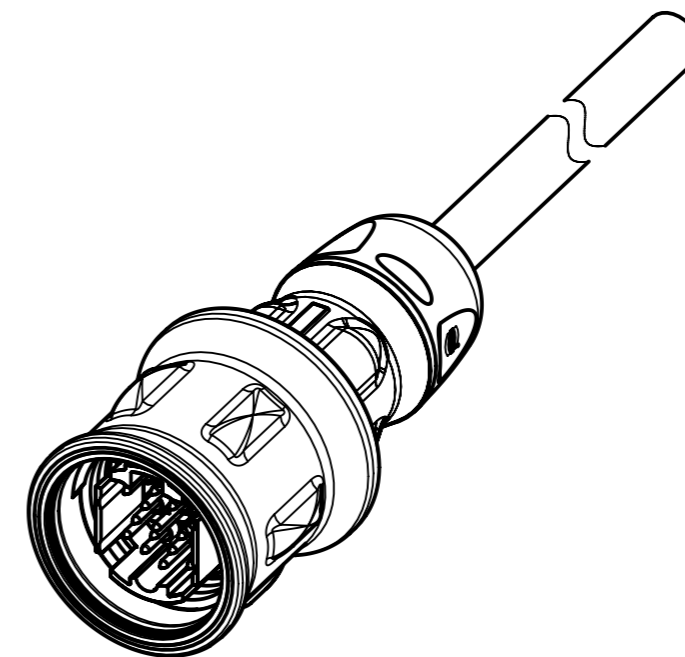


X  
male



Pin Conn. Loc. A	Wire
1	Black 1
2	Black 2
3	Black 3
4	Black 4
5	Black 5
6	Black 6
7	Black 7
8	Black 8
9	Black 9
10	Black 10
11	Black 11
12	Black 12
13	Black 13
14	Black 14
15	Black 15
16	Black 16
17	Black 17
PE	Green/Yellow

**NOTE:**  
 \* Silver plated contacts  
 - Protection level: IP69  
**Temperature range:**  
 - Fixed installation: -40°C ... +80°C  
 - Dynamic installation: -20°C ... +80°C



6.0 to 100	±1%
0.6 to 5.9	+0.04
0.2 to 0.5	+0.02
<b>a [m]</b>	<b>Tolerance</b>

length in "1m" step	100	XXX=000
	99	XXX=990
	12	XXX=120
	11	XXX=110
length in "0.1m" step	10	XXX=100
	9.9	XXX=099
	9.8	XXX=098
	0.5	XXX=005
	0.4	XXX=004
	0.3	XXX=003
	0.2	XXX=002
<b>Step</b>	<b>a [m]</b>	<b>XXX</b>

F-C-PURö-JZ 18G0.5mm<sup>2</sup>, PUR, grey

33504100306XXX

**Type of cable**

**Part no.**

	All Dimensions in mm	Tech. Character.		Free size tol.		According to production drawing	
	All rights reserved Department HCS - RO	Created by 402676 Gross	Inspected by COSTEA Costea	Standardisation MUNTEANV Muntean	Date 2021-10-25	State Final Release	
HARTING Customised Solutions D-32339 Espelkamp		Title Han F+B CA 17D 0,5mm <sup>2</sup> m/- st/- PUR				Doc-Key / ECM-Nr. 100958961/UGD/001/B 500000204489	
		Type TB	Number 33504100306XXX			Rev. B	Page 1/1